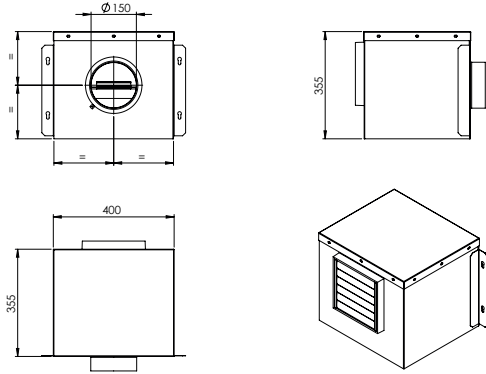
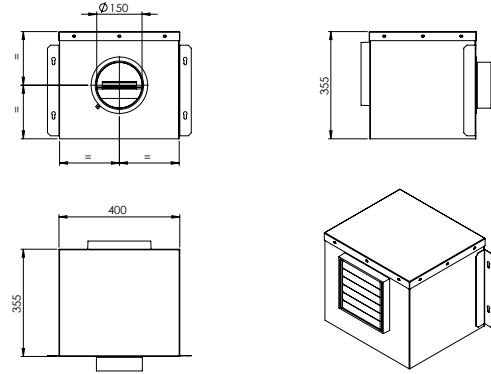


MOTEURS FAÇADE

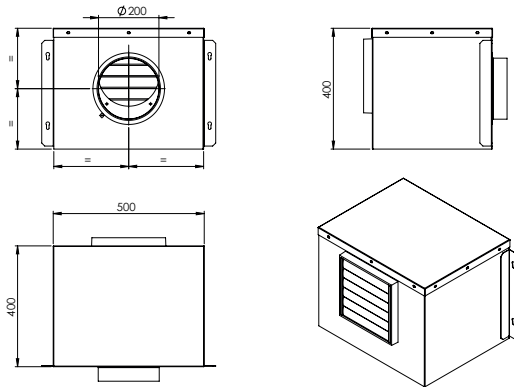
B-EC-BG 7



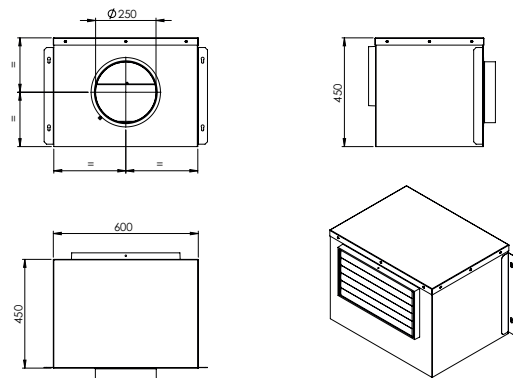
B-EC-BG 10



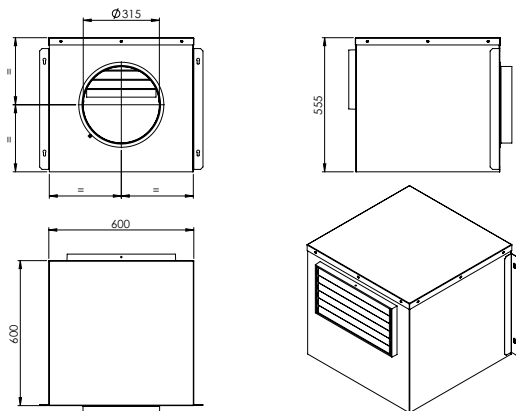
B-EC-BG 15



B-EC-BG 23



B-EC-BG 30



MVE 10-EC

