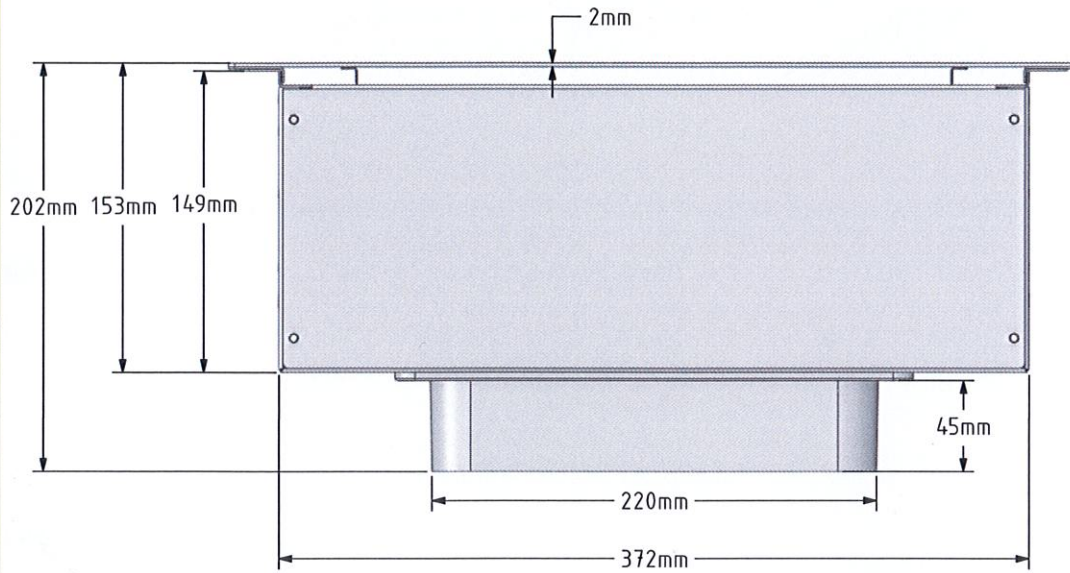
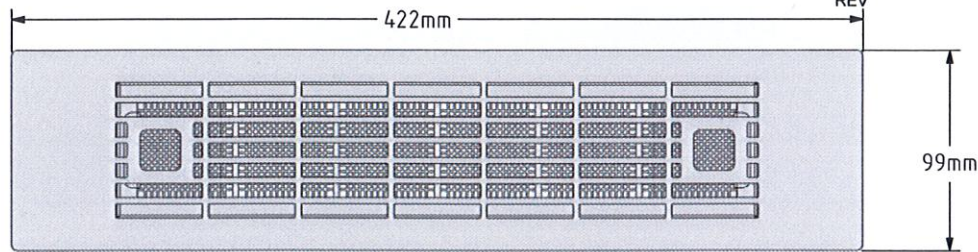
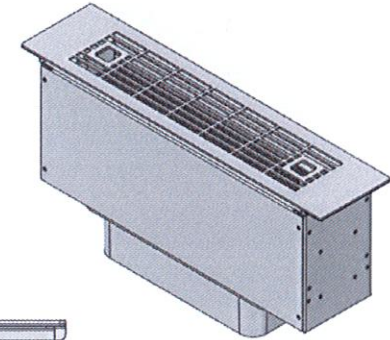


NOTES:

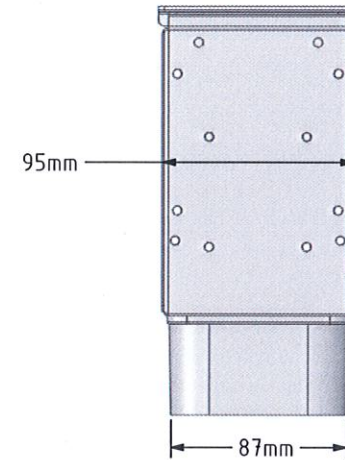


REVISION HISTORY

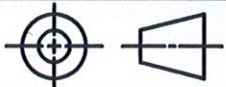
DESCRIPTION	INCORP BY	DATE	CHECKED
-------------	-----------	------	---------



SCALE 1:5



Spieveldstraat 23
9160 Lokeren
T 09/340 60 00
www.venduro.be



NEXT ASSY USED ON APPLICATION

MATERIAL
FINISH
TREATMENT
SIMILAR TO

-2 QTY REQD		-1 ITEM NO.		PART OR IDENTIFYING NO.			NOMENCLATURE OR DESCRIPTION		
PARTS LIST									
INIT	APPROVALS	DATE	INIT	APPROVALS	DATE	Art. No. Black: 110014			
						Art. No. Stinaless Steel: 110015			
						Art. No. White: 110025			
						TITLE			
						ML-CFBP-V01-0201-0101-02			
						Sockelfilter			
SIZE		CAGE CODE		DWG NO.		REV			
B									
SCALE						SHEET			